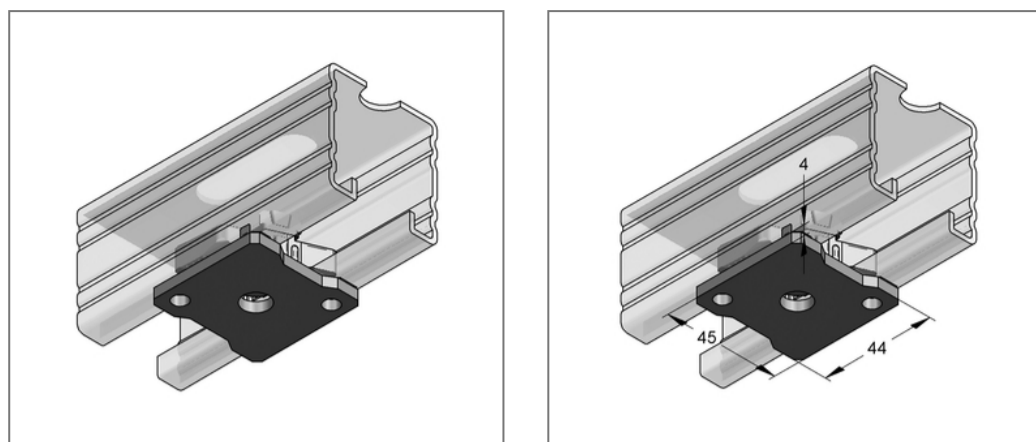


■ Stex threaded plate GP 45 M8 galv.



Commercial details

Part no.	1280508
EAN/GTIN	4250928424709
Packing unit	30 pcs
Price unit	1
Quantity unit	pcs
Weight	0,113 kg/pc
Product group	02-128



Technical data

Material	Steel
Material type	S235
Surface	galvanized

Product details

Loading capacity	see loads in the catalogue siehe Nutzlasttabelle im Katalog
Length	45 mm
Width	44 mm
Material thickness	4 mm
Thread	M8 M8
Profile type	45
Form	pivoted

Remark

Note	not certified acc. to RAL
------	---------------------------