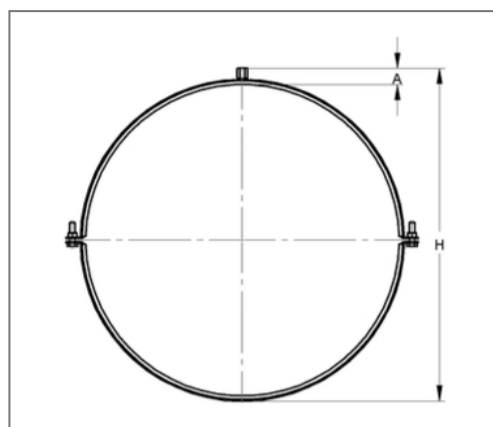
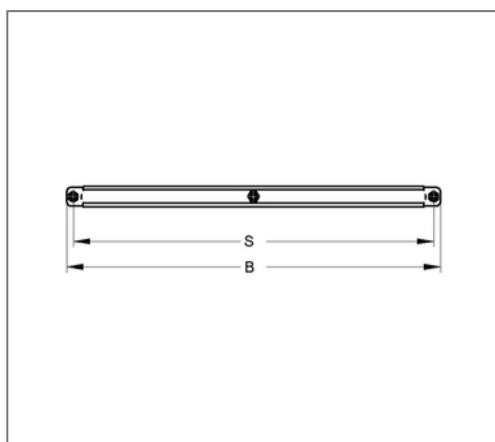


■ Pipe clamp Ventus 20x1.5 DN 140 M8 EPDM



Commercial details

Part no.	0449931140
EAN/GTIN	4250928411235
Packing unit	25 pcs
Price unit	100
Quantity unit	pcs
Weight	0,179 kg/pc
Product group	08-992

Certification



Specification

Application area	pipe clamp for fixing pipes.
Specification	two-part
Connection	M8 val.Anschluss.M8
Closure	Closure screw

Technical data

Material	Steel
Material type	S235
Surface	galvanized
Insulation thickness	4.5 mm
Temperature resistance	-35 °C - 100 °C
Sound insulation lining	Rubber EPDM

Product details

Center distance	170 mm
Connection height	15 mm
Width	188 mm
Colour sound insulation lining	black
Height	162 mm
Material dimension	20x1.5 mm
load Fz	0.75 kN
Outside pipe diameter	144 mm
Closure screw	M6 val.VerschlussSchraube.M6