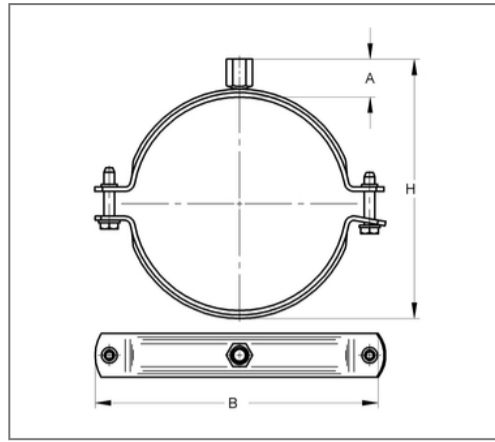
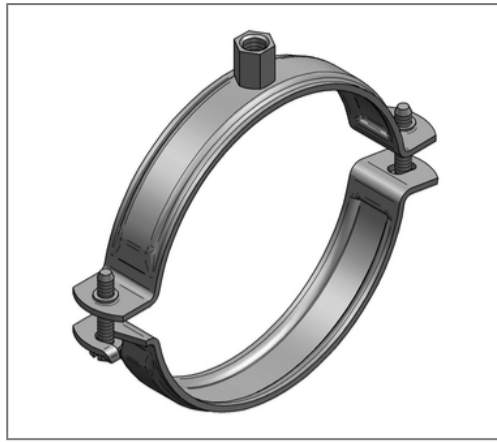


## ■ Pipe clamp Trabant Inox 25x2.5 139 - 144 mm M10/M12 unlined



### Commercial details

Part no.	051005144
EAN/GTIN	4250928454140
Packing unit	25 pcs
Price unit	100
Quantity unit	pcs
Weight	0,294 kg/pc
Product group	13-051

### Certification



### Specification

Application area	pipe clamp for fixing pipes.
Specification	two-part
Connection	M10/M12 val.Anschluss.M10/M12
Closure	Snap-in closure

### Technical data

Material	Stainless steel
Material type	V4A
Sound insulation lining	unlined

### Product details

Center distance	171 mm
Connection height	22.5 mm
Width	188 mm
Height	166 - 171 mm
Material dimension	25x2.5 mm
load Fz	2.5 kN
Clamping range	139 - 144 mm
Outside pipe diameter inch	5 inch
Closure screw	M6 val.VerschlussSchraube.M6

### Remark

Delivery time	2 working days, ex works
Notice	Other sizes and connection threads on demand.