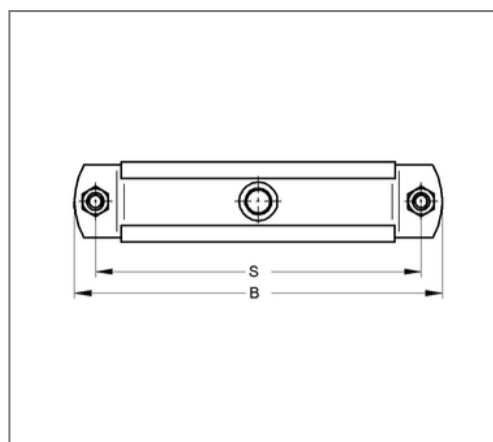
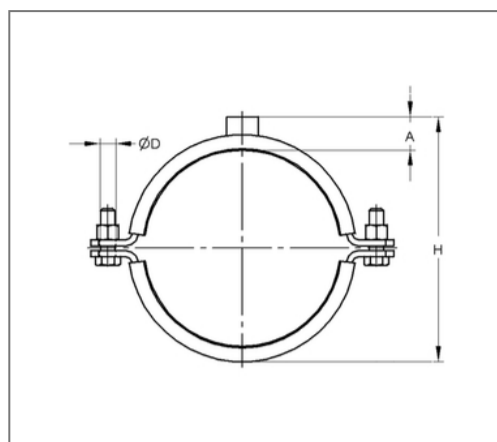


## ■ Pipe clamp Titan HD 50x5 273 mm M12 TPE



### Commercial details

Part no.	0066907
EAN/GTIN	4250928401960
Packing unit	1 pcs
Price unit	100
Quantity unit	pcs
Weight	2,49 kg/pc
Product group	01-007

### Certification



### Specification

Application	pipe clamp, sound-insulated for fastening pipes area in the heavy load range.
Specification	two-part
Connection	M12 M12
Closure	Screw coupling

### Technical data

Material	Steel
Material type	S235
Surface	galvanized
Insulation thickness	6 mm
Temperature resistance	-35 °C - 100 °C
Sound insulation lining	Rubber TPE

### Product details

Center distance	336 mm
Connection height	22 mm
Width	365 mm
Colour sound insulation lining	black
Height	306 mm
Material dimension	50x5 mm
load Fz	11.5 kN
Outside pipe diameter	273 mm
Outside pipe diameter inch	10 inch
Closure screw	M12 M12

### Remark

Delivery time	5 - 8 working days ex works. Exchange and return are excluded.
---------------	--