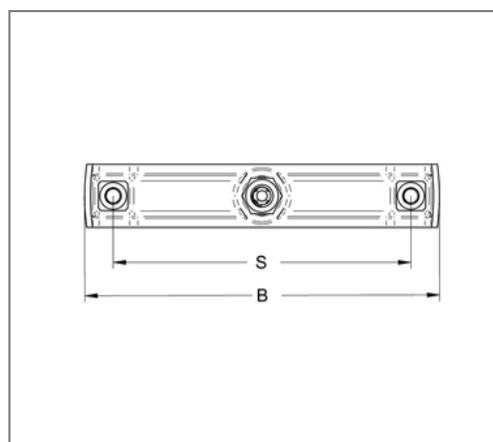
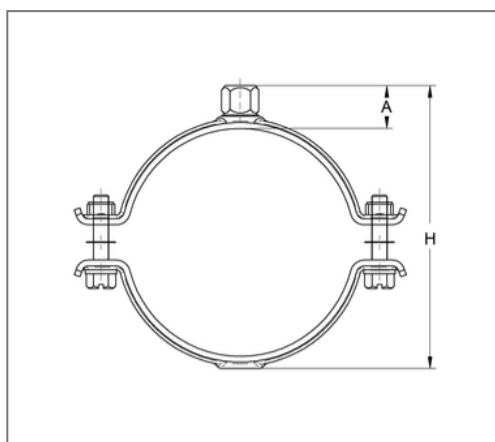


■ Pipe clamp HDC 30x2.5 40 - 45 mm M8 unlined



Commercial details

Part no.	47300040
EAN/GTIN	4250928458179
Packing unit	50 pcs
Price unit	100
Quantity unit	pcs
Weight	0,174 kg/pc
Product group	12-034

Certification



Specification

Brand	Jiangmen Eurofix
Application	Pipe clamp with connection thread according to area sprinkler guidelines for Sprinkler systems.
Specification	two-part
Connection	M8 val.Anschluss.M8
Closure	M8

Technical data

Material	Steel
Surface	galvanized
Sound insulation lining	unlined

Product details

Center distance	66 mm
Connection height	16 mm
Width	88 mm
Height	65 mm
Material dimension	30x2.5 mm
Width material	30 mm
Material thickness	2.5 mm
load Fz	1.5 kN
min. outside pipe diameter	40 mm
max. outside pipe diameter	45 mm
Outside pipe diameter inch	1 1/4 inch